

# LS-RE(A) COMPACT SOLID ROTARY HYDRAULIC CYLINDER (BUILT-IN CHECK VALVE & SENSOR)

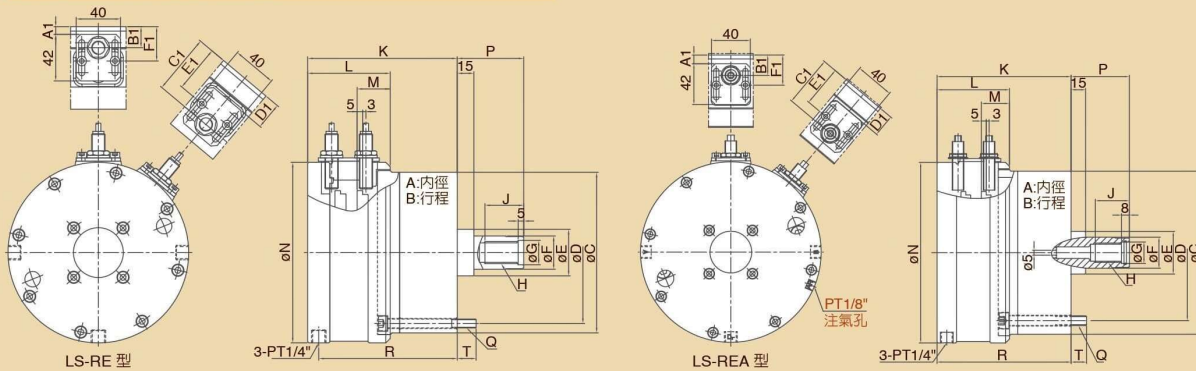
## 超薄型中實油壓迴轉缸 (附止逆及檢知裝置)

REA: 注氣型 Air Connection

新產品  
**NEW**



### 尺寸圖 » Dimensions



### 規格表 » Specifications

單位/UNIT:mm

型式/規格 MODEL /SPEC.	A	B	C (h7)	D	E	F	E1	F1	G (H8)	H
LS1120RE	110	20	145	128	42	30	42.5	31	22	M20x2.5P
LS1221RE	120	21	168	145	44	32	42.5	31	22	M20x2.5P
LS1330RE	130	30	168	150	51	36	52.5	32.5	26	M24x3P
LS1120REA	110	20	145	128	42	30	42.5	31	22	M20x2.5P
LS1221REA	120	21	168	145	44	32	42.5	31	22	M20x2.5P
LS1330REA	130	30	168	150	51	36	52.5	32.5	26	M24x3P

型式/規格 MODEL /SPEC.	J	K	A1	B1	C1	D1	L	M max.	M min.	N
LS1120RE	35	135	7	19	54.5	24.5	74.5	49.9	29.9	163
LS1221RE	35	138	9	21	53	23	74.5	49.9	28.9	186
LS1330RE	35	155	10	22	63	32.5	84.5	60	30	186
LS1120REA	35	135	9.9	21.9	52.9	22.9	74.5	49.9	29.9	163
LS1221REA	35	138	8.9	20.9	52.9	22.9	74.5	49.9	28.9	186
LS1330REA	35	155	10	22	63	33	84.5	60	30	186

型式/規格 MODEL /SPEC.	P max.	P min.	Q	R	T	活塞行程 Piston Stroke (mm)	最高迴轉速 Max. Speed r.p.m (min <sup>-1</sup> )	慣性矩I Moment of Inertia (kg·m <sup>2</sup> )	流量 Oil Leakage Rate (t/min)
LS1120RE	60	40	6-M8x1.25P	125	17	20	6000	0.02	1.2
LS1221RE	60	39	6-M10x1.5P	128	16	21	6000	0.03	1.2
LS1330RE	60	30	6-M10x1.5P	145	19	30	6000	0.03	1.2
LS1120REA	60	40	6-M8x1.25P	125	17	20	6000	0.02	1.2
LS1221REA	60	39	6-M10x1.5P	128	16	21	6000	0.03	1.2
LS1330REA	60	30	6-M10x1.5P	145	19	30	6000	0.03	1.2

型式/規格 MODEL /SPEC.	最高使用壓力 Max. Pressure kgf/cm <sup>2</sup> (Mpa)		活塞面積 Piston Area (cm <sup>2</sup> )		最大推(拉)力 Max. Operating Force				淨重 Weight (kg)	注氣壓力 Air Connection Max. Press kgf/cm <sup>2</sup> (Mpa)
	推力側 Push Side	拉力側 Pull Side	推力側 Push Side	拉力側 Pull Side	推力側 kgf (KN)	拉力側 kgf (KN)	推力側 kgf (KN)	拉力側 kgf (KN)		
LS1120RE	35	(3.4)	89.6	84.8	2800 (27.5)	2700 (26.5)	8.2	--		
LS1221RE	40	(3.9)	107.7	102	3900 (38)	3800 (37)	10.8	--		
LS1330RE	40	(3.9)	127.4	119.4	4600 (45)	4300 (42)	11.4	--		
LS1120REA	35	(3.4)	88.6	84.8	2800 (27.5)	2700 (26.5)	8.25	10.2(1.0)		
LS1221REA	40	(3.9)	106.7	102	3900 (38)	3800 (37)	10.8	10.2(1.0)		
LS1330REA	40	(3.9)	126.4	119.4	4600 (45)	4300 (42)	11.4	10.2(1.0)		

★流量測試標準: 壓力: 30kgf/cm<sup>2</sup>(2.94Mpa) 油溫: 50°C ★Test standard of oil leakage: Pressure-30 kgf/cm<sup>2</sup>(2.94Mpa), Oil temperature-50°C