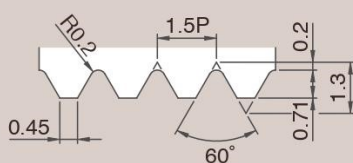
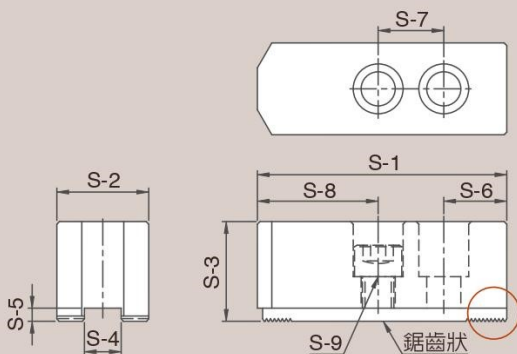


SJ SOFT JAWS (SJ-SERIES) FOR HYDRAULIC CHUCKS

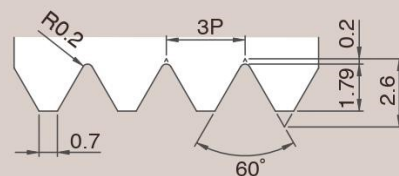
油壓生爪



尺寸圖 » Dimensions



Pitch 1.5 齒型詳圖



Pitch 3.0 齒型詳圖

規格表 » Specifications

單位/UNIT:mm

型式/規格 MODEL / SPEC.	S-1	S-2	S-3	S-4	S-5	S-6	S-7	S-8	S-9	鋸齒狀節距 Serration Pitch	淨重 Weight (kg)
SJ-04	49.5	23	23	10	4.5	10	14	25.5	M8x1.25P	1.5 x 60°	0.42
SJ-05	62	25	30	10	4.5	10	14	38	M8x1.25P	1.5 x 60°	0.85
SJ-06	73	31	36	12	5	15	20	38	M10x1.5P	1.5 x 60°	1.5
SJ-08	95	35	38	14	5	24	25	46	M12x1.75P	1.5 x 60°	2.4
SJ-10	110	40	42	16	5	30	30	50	M12x1.75P	1.5 x 60°	3.6
SJ-12	129	50	50	21(18)	6	39	30	60	M16x2P (M14x2P)	1.5 x 60°	6.1
SJ-15	165	62	62	22(25.5)	8(5)	37	43	85	M20x2.5P	1.5 x 60°	12.5
SJ-18	165	62	62	22(25.5)	8(5)	37	43	85	M20x2.5P	1.5 x 60°	12.5
SJ-21	180	65	70	25	9	40	60	80	M20x2.5P	3.0 x 60°	16.2
SJ-24	180	65	70	25	9	40	60	80	M20x2.5P	3.0 x 60°	16.2
SJ-32	180	65	70	25	9	40	60	80	M20x2.5P	3.0 x 60°	16.2
SJ-40	180	65	70	25	9	40	60	80	M20x2.5P	3.0 x 60°	16.2